

# MaxWell

## Three Phase Power Regulator

### MS3-VD Series

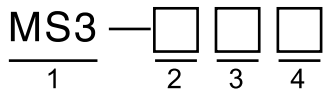
### Basic Type Linear Control



- Linear phase-shift control, excellent stability, high precision
- Modularized design, safer and reliable
- Small size, easy to install and wiring
- Vacuum welding technology, good quality and robust.

- Rated voltage: Three phase 380VAC(four wires)
- Rated voltage for cooling fans: 220VAC
- Rated amps: 10A/25A/40A/60A/80A/100A/120A
- Frequency: 50/60HZ
- Control signal: 4-20mA, 0-5VDC, 0-10VDC.
- Ambient temperature: Maximum temperature 47°C  
Maximum humidity 90%RH

## Ordering Information



### Section 4: Rated Load Current

- 10:** 10A
- 25:** 25A
- 40:** 40A
- 60:** 40A
- 80:** 80A
- 100:** 100A
- 120:** 120A

### Section 1: Basic Model Name

**MS3:** Maxwell Three Phase Power Regulator

### Section 2: Control Type

**VD:** Linear Control

### Section 3: Rated Load Voltage

**38:** 380VAC

### Section 5: Control Signal

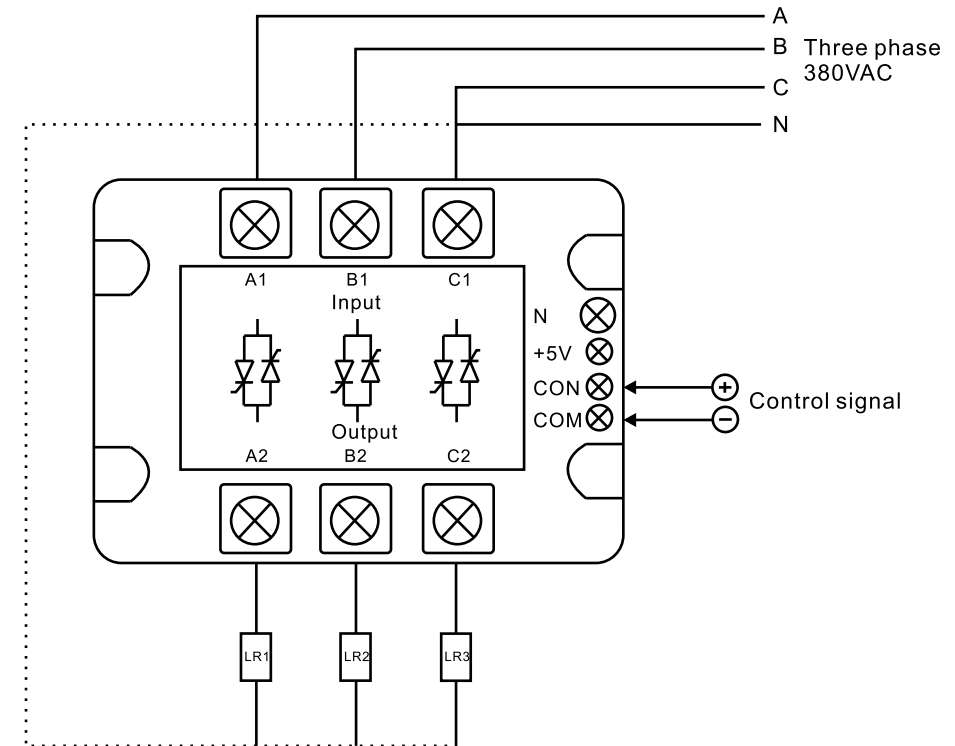
- A:** 0-5VDC input
- B:** 0-10VDC input
- C:** 4-20mA input

▲ **MS3-VD3825A:** Three phase power regulator 25A with control signal as 0-5VDC

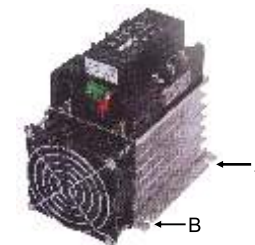
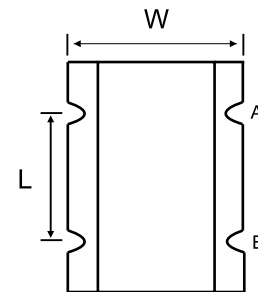
## Specifications

Rated voltage	380VAC
Rated current	10A/25A/40A/60A/80A/100A/120A
Operation frequency	50/60HZ
Output mode	Phase output
Control signal	4-20mA
	0-5VDC
Ambient	0-10VDC
	Maximum temperature 47°C/Maximum humidity 90%RH
Cooling fans	220VAC

## Wiring Diagram



## Dimensions



Installation dimensions: W(90mm)\*L(80mm)  
Overall dimensions: W(100mm)\*L(110mm)\*H(145mm)

## Warning and Precautions(very important)

- 1: The main circuit adopts three-phase four wire input without requirement for phase sequence
- 2: SCR with high amps of current flow through, be sure to tighten the terminal (A1 B1 C1 and A2 B2 C2) at its maximum extend. otherwise SCR might be damaged by heat generated around the terminals.
- 3: When Y connection used for load, the center of Y should be connected with zero line, otherwise, relative equilibrium of the three phase is required
- 4: When load greater than 15KW, Heatsink is a must for the SCR, and heat conducting silicon grease should be applied between chassis of SCR and the heatsink, and cooling fan is a must for the heatsink
- 5: Make sure to use semi-conductive fast fuse for overload protection
- 6: Make sure to pick proper heatsinks when load more than 15KW

Temperature Controller/Solid State Relay/Rotary Encoder/power regulator