

Incremental 58-mm-Dia. Rotary Encoder

M58H/M58HB

Hollow shaft type/Built-in Type

General purpose Encoder with External Diameter of 58mm

- Incremental model
- External diameter of 58mm
- Resolution up to 5400 ppr.
- Various output type
- Hollow shaft type and built-in type



Ordering Information

M58H/M58HB-

1 2 3 4 5 6 7

Section 1: Basic model name

- M58H:** 58mm Rotary Encoder(Hollow Shaft Type)
- M58HB:** 58mm Rotary Encoder(Semi-Hollow Shaft Type)

Section 2: Inner shaft size

- 6:** 6mm **12:** 12mm
- 8:** 8mm **14:** 14mm
- 9.52:** 9.52mm **15:** 15mm
- 10:** 10mm

Section 3: Resolution

- 10:** 10 ppr
- 20:** 20 ppr

40 50 60 80 100 120 125 150
200 225 240 250 256 300 360 400 450
480 500 512 600 625 720 750 800 900
1000 1024 1080 1200...up to 5400

Not indicated resolution is customizable

Section 4: Output phase

- 3:** A B Z
- 6:** A \bar{A} B \bar{B} Z \bar{Z}

Section 5: Output type

- C:** Complementary(also known as totem pole)
- N:** NPN Open collector
- P:** PNP Open collector
- V:** Voltage output
- L:** Line driver(**Power source 5VDC ONLY, Phase 6**)
- T:** Push-Pull(**With inverted signal, Phase 6**)

Section 6: Power Supply

- 8:** 8-30 VDC(+/- 5%)
- 5:** 5 VDC(+/- 5%)

Section 7: Cable outgoing type

- G:** Side entry cable
 - X:** Side entry plug
- ▲ **Standard cable length is 2M**

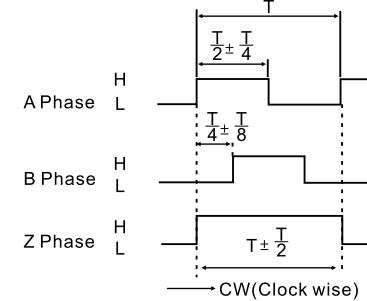
Ratings and Specifications

- Power supply:** 5 VDC / 8-30 VDC
- Resolution:** 5-5400 ppr
- Current consumption:** 100mA(Load disconnected)
- Load current:** 50mA maximum per channel 20mA maximum per channel (Line driver output)
- Output type:** NPN/PNP open collector/Complementary/Voltage/Line Driver/Push-Pull(HTL with reverse signal)
- Frequency:** 100K HZ Frequency=RPM*Resolution/60
- Maximum permissible speed:** 6000 rpm
- Shaft loading radial:** 30N
- Shaft loading thrust:** 50N
- Weight:** Approx 0.36KG
- Protection level:** IP50
- Temperature:** operation(-10°C~+70°C), storage(-30°C~+85°C)
- Vibration resistance:** 50m/s, 10-65 HZ, 1 mm double amplitude for 2 hours each in X, Y, and Z directions
- Shock resistance:** 980m/s, 6m/s 2 times each in X, Y, and Z directions
- Starting torque:** 5x 10⁻² N.m Maximum

Output circuits and wave forms

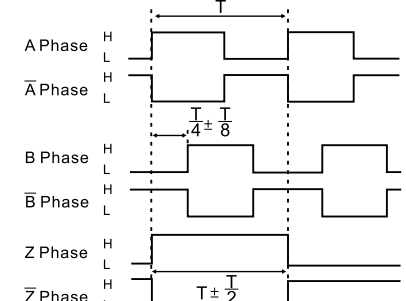
Wave forms

Complementary/Open collector(NPN&PNP)/Voltage output



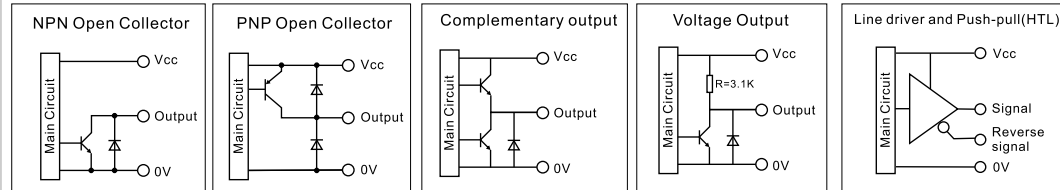
CW: As viewed from the shaft

Line Driver(RS422)/Push-pull(HTL with reverse signal)



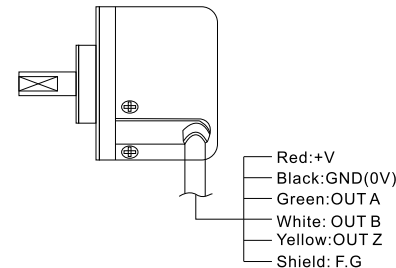
CW(Clock wise)

Output circuits

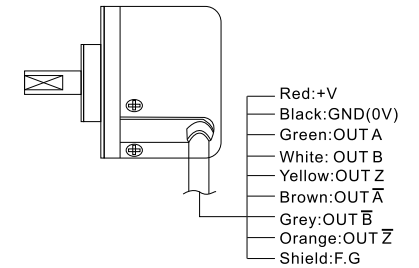


Wiring Details

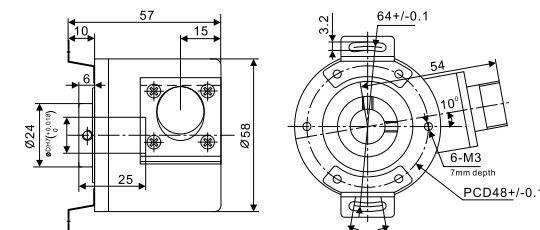
Complementary/Open collector(NPN/PNP)/Voltage output



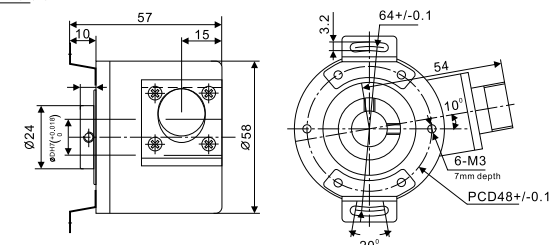
Line Driver/Push-pull(HTL with reverse signal)



Mounting and Dimensions



M58HB(Semi Hollow Shaft Type)



M58H(Hollow Shaft Type)

Maxwell Electrical Limited
sales@maxwell-fa.com
Tel: +86-592-6382791
Fax: +86-592-6091734
Website: www.maxwell-fa.com