

# Incremental 50 mm Dia. Rotary Encoder

M50H/M50HB

Hollow shaft type/Built-in type

General purpose Encoder with External Diameter of 50mm



- Incremental model
- External diameter of 50mm
- Resolution up to 5400 ppr.
- Various output type
- Hollow type and built-in type

## Ordering Information

M50H/M50HB-

1 2 3 4 5 6 7

### Section 1: Basic model name

- M50H:** 50mm Rotary Encoder(Hollow Shaft)
- M50HB:** 50mm Rotary Encoder(Semi-Hollow Shaft)

### Section 2: Inner shaft size

- 12:** 12mm
- 8:** 8mm
- 9.52:** 9.52mm
- 10:** 10mm

### Section 3: Resolution

- 10:** 10 ppr
- 20:** 20 ppr

40 50 60 80 100 120 125 150  
200 225 240 250 256 300 360 400 450  
480 500 512 600 625 720 750 800 900  
1000 1024 1080 1200...up to 5400

Not indicated resolution is customizable

### Section 4: Output phase

- 3:** A B Z
- 6:** A  $\bar{A}$  B  $\bar{B}$  Z  $\bar{Z}$

### Section 5: Output type

- C:** Complementary(also known as totem pole)
- N:** NPN Open collector
- P:** PNP Open collector
- V:** Voltage output
- L:** Line driver(**Power source 5VDC ONLY, Phase 6**)
- T:** Push-Pull(**With inverted signal, Phase 6**)

### Section 6: Power Supply

- 8:** 8-30 VDC(+/- 5%)
- 5:** 5 VDC(+/- 5%)

### Section 7: Cable outgoing type

- G:** Side entry cable

▲Standard cable length is 2M

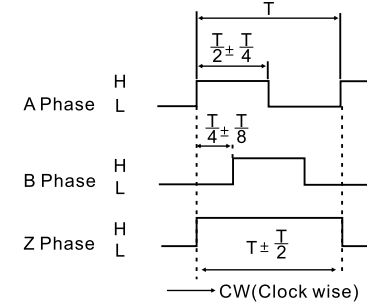
## Ratings and Specifications

- Power supply:** 5 VDC / 8-30 VDC
- Resolution:** 5-5400 ppr
- Current consumption:** 100mA(Load disconnected)
- Load current:** 50mA maximum per channel 20mA maximum per channel (Line driver output)
- Output type:** NPN/PNP open collector/Complementary/Voltage/Line Driver/Push-Pull(HTL with reverse signal)
- Frequency:** 100K HZ Frequency=RPM\*Resolution/60
- Maximum permissible speed:** 6000 rpm
- Shaft loading radial:** 25N
- Shaft loading thrust:** 35N
- Weight:** Approx 0.25KG
- Protection level:** IP50
- Temperature:** operation(-10°C~+70°C), storage(-30°C~+85°C)
- Vibration resistance:** 50m/s, 10-65 HZ, 1 mm double amplitude for 2 hours each in X, Y, and Z directions
- Shock resistance:** 980m/s, 6m/s 2 times each in X, Y, and Z directions
- Starting torque:** 5x 10<sup>-2</sup> N.m Maximum

## Output circuits and wave forms

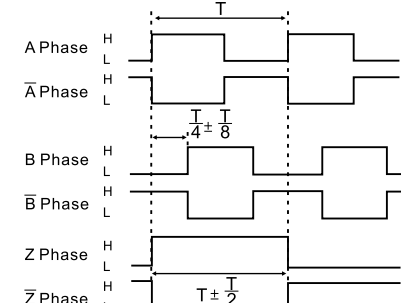
### Wave forms

Complementary/Open collector(NPN&PNP)/Voltage output



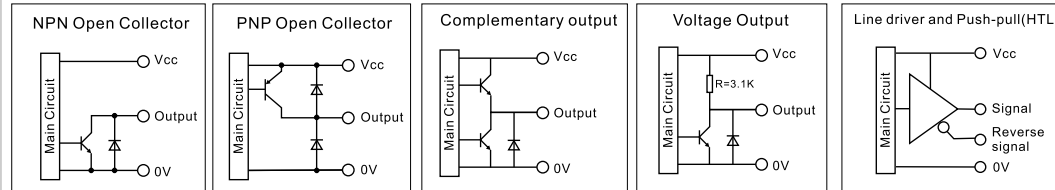
CW: As viewed from the shaft

Line Driver(RS422)/Push-pull(HTL with reverse signal)



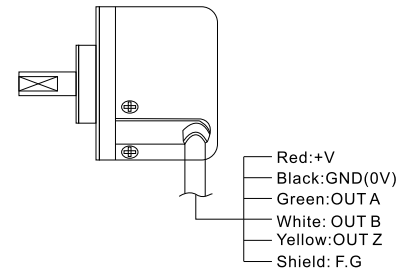
CW(Clock wise)

### Output circuits

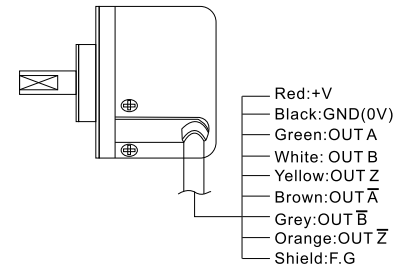


## Wiring Details

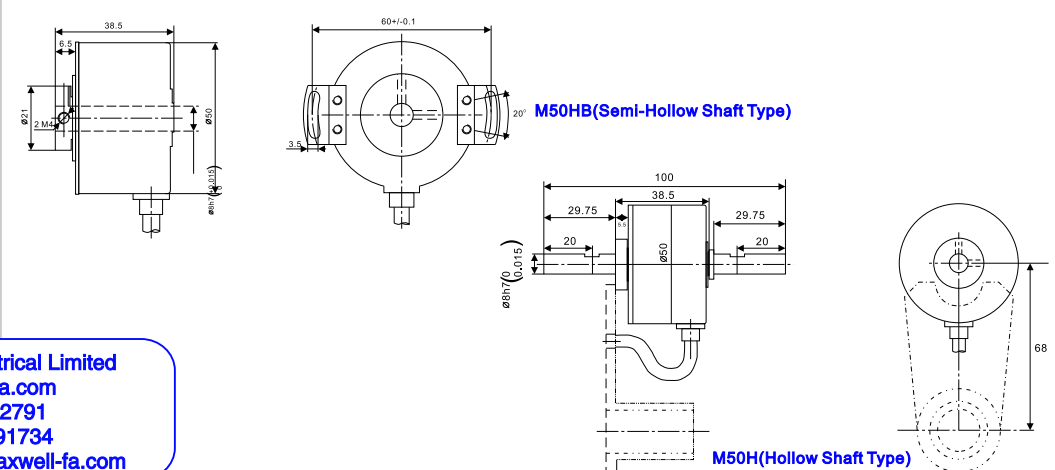
Complementary/Open collector(NPN/PNP)/Voltage output



Line Driver/Push-pull(HTL with reverse signal)



## Mounting and Dimensions



Maxwell Electrical Limited  
sales@maxwell-fa.com  
Tel: +86-592-6382791  
Fax: +86-592-6091734  
Website: www.maxwell-fa.com