

# Incremental 30-mm-Dia. Rotary Encoder

M30SA

Ultra Small, Space saving

General purpose Encoder with External Diameter of 30mm



- Incremental model
- External diameter of 30mm
- Resolution up to 1200 ppr.
- Various output type
- Solid shaft with Dia at 4 mm

## Ordering Information

M30SA-□□□□□□□

1 2 3 4 5 6 7

### Section 1: Basic model name

**M30SA:** 30mm Rotary Encoder(Mounting Type A)

### Section 2: Shaft Size

4: Solid shaft with Dia at 4 mm

### Section 3: Resolution

10: 10 ppr  
20: 20 ppr

40 50 60 80 100 120 125 150  
200 225 240 250 256 300 360 400 450  
480 500 512 600 625 720 750 800 900  
1000 1024 1080 ...up to 1200

Not indicated resolution is customizable

### Section 4: Output phase

3: A B Z  
6: A  $\bar{A}$  B  $\bar{B}$  Z  $\bar{Z}$

### Section 5: Output type

C: Complementary(also known as totem pole)  
N: NPN Open collector  
P: PNP Open collector  
V: Voltage output  
L: Line driver (**Power source 5VDC ONLY, Phase 6**)  
T: Push-Pull(**With inverted signal, Phase 6**)

### Section 6: Power Supply

8: 8-30 VDC(+/- 5%)  
5: 5 VDC(+/- 5%)

### Section 7: Cable outgoing type

E: Rear Entry Cable  
**Cable Can Only Entry From the Rear**  
**▲Standard cable length is 2M**

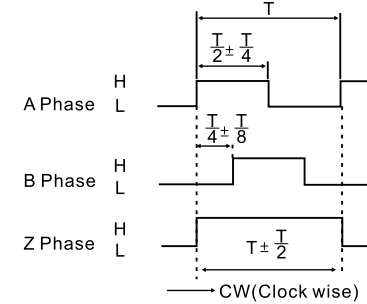
## Ratings and Specifications

- Power supply:** 5 VDC / 8-30 VDC  
**Resolution:** 5-1200 ppr  
**Current consumption:** 100mA(Load disconnected)  
**Load current:** 50mA maximum per channel 20mA maximum per channel (Line driver output)  
**Output type:** NPN/PNP open collector/Complementary/Voltage/Line Driver/Push-Pull(HTL with reverse signal)  
**Frequency:** 100K HZ Frequency=RPM\*Resolution/60  
**Maximum permissible speed:** 4000 rpm  
**Shaft loading radial:** 10N  
**Shaft loading thrust:** 20N  
**Weight:** Approx 0.16KG  
**Protection level:** IP50  
**Temperature:** operation(-10°C~+70°C), storage(-30°C~+85°C)  
**Vibration resistance:** 50m/s, 10-65 HZ, 1 mm double amplitude for 2 hours each in X, Y, and Z directions  
**Shock resistance:** 980m/s, 6m/s 2 times each in X, Y, and Z directions  
**Starting torque:** 1 x 10<sup>-3</sup> N.m Maximum

## Output circuits and wave forms

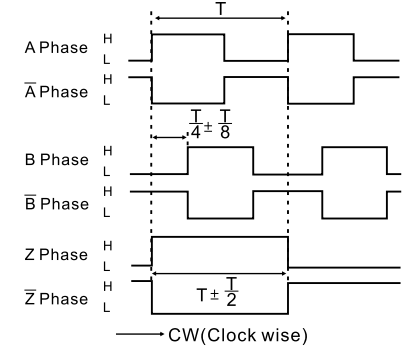
### Wave forms

Complementary/Open collector(NPN&PNP)/Voltage output

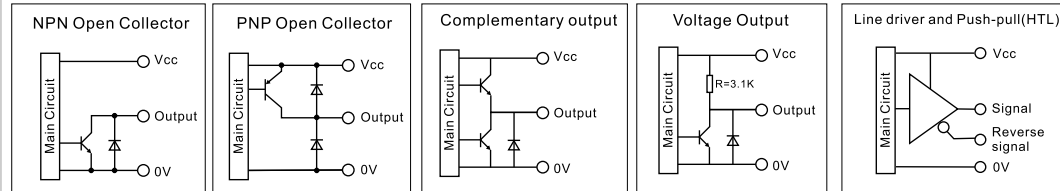


CW: As viewed from the shaft

Line Driver(RS422)/Push-pull(HTL with reverse signal)

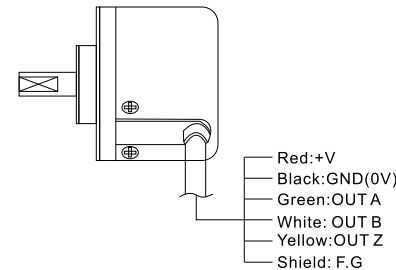


### Output circuits

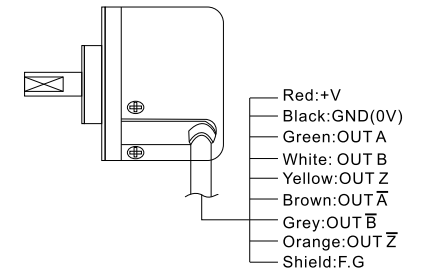


## Wiring Details

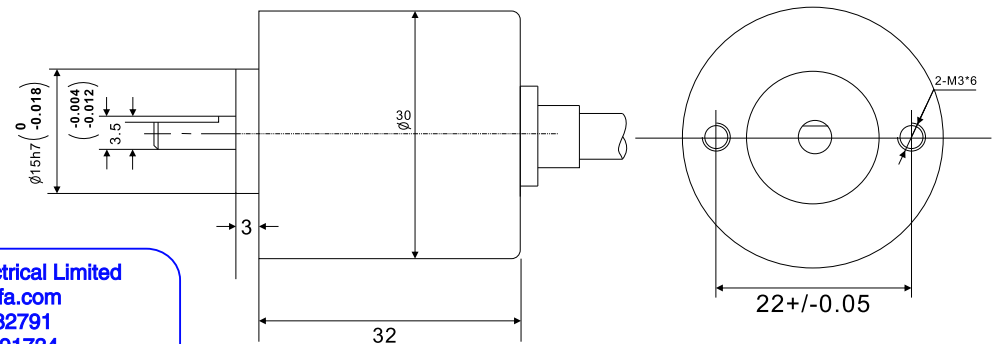
Complementary/Open collector(NPN/PNP)/Voltage output



Line Driver/Push-pull(HTL with reverse signal)



## Mounting and Dimensions



M30SA(Mounting Type A)

Maxwell Electrical Limited  
[sales@maxwell-fa.com](mailto:sales@maxwell-fa.com)  
 Tel: +86-592-6382791  
 Fax: +86-592-6091734  
 Website: [www.maxwell-fa.com](http://www.maxwell-fa.com)